



Industrial Filters · Accumulators



Siège Social Douala - Cameroun B.P. 12591 Douala  
contact@2comappro.com  
Tél : + 237 233 424 913  
et + 237 674 472 158

[www.2comappro.com](http://www.2comappro.com)

## *Inline Filter with Basket*

16/40 FKE 25/400 - 16 FKE 500/2500

16/40 FFE 25/400 - 16 FFE 500/2500

## *Duplex Filter with Basket*

16/40 FKD 25/400 - 16 FKD 500/2500

16/40 FFD 25/400 - 16 FFD 500/2500



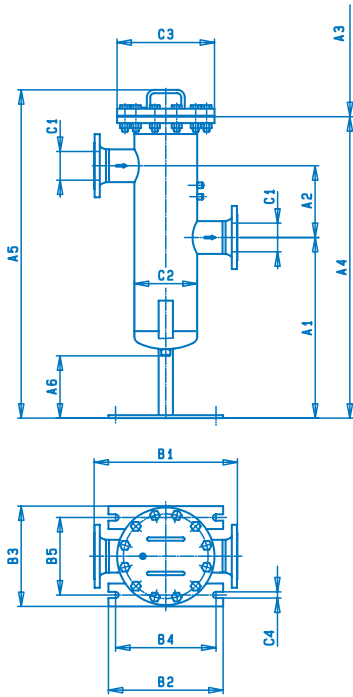
*One design  
for a wide range of  
Working Pressures  
Flow Rates  
Temperatures and  
Applications*

*Operating Pressure 16, 40 bar  
Connection up to DN 500*



Quality assured!

## Dimensions



Type	Capacity in l	Weight in kg <sup>1)</sup>	A1	A2	A3 <sup>2)</sup>	A4
16 FKE/FFE 25/400	5,2	28	380	155	400	635
40 FKE/FFE 25/400		32				
16 FKE/FFE 50/550	8,6	36	335	210	450	668
40 FKE/FFE 50/550		44				
16 FKE/FFE 80/600	12	41	540	650	868	
40 FKE/FFE 80/600		48	535			
16 FKE/FFE 80/1500	32	68	650	230	700	1053
40 FKE/FFE 80/1500		88				
16 FKE/FFE 100/1500	33	70	630	250	700	1053
40 FKE/FFE 100/1500		93				
16 FKE/FFE 150/2500	55	99	465	435	840	1130
40 FKE/FFE 150/2500		145				

bigger sizes on request

Type	A5	A6	B1	B2	B3	B4	B5
16 FKE/FFE 25/400	723	150	300	300	244	250	164
40 FKE/FFE 25/400	727						
16 FKE/FFE 50/550	758	137	330	300	270	250	190
40 FKE/FFE 50/550	762						
16 FKE/FFE 80/600	958	137	350	400	350	350	270
40 FKE/FFE 80/600	962						
16 FKE/FFE 80/1500	1145	227	500	400	350	350	270
40 FKE/FFE 80/1500	1157						
16 FKE/FFE 100/1500	1145	227	560	400	403	350	323
40 FKE/FFE 100/1500	1157						
16 FKE/FFE 150/2500	1224	206	560	400	403	350	323
40 FKE/FFE 150/2500	1236						

bigger sizes on request

Type	C1 Connection	C2	C3	C4	Number of Baskets
16 FKE/FFE 25/400	DN 25	Ø114,3	Ø 220	22	1
40 FKE/FFE 25/400			Ø 235		
16 FKE/FFE 50/550	DN 50	Ø139,7	Ø 250		
40 FKE/FFE 50/550			Ø 270		
16 FKE/FFE 80/600	DN 80	Ø139,7	Ø 250		
40 FKE/FFE 80/600			Ø 270		
16 FKE/FFE 80/1500	DN 80	Ø219,1	Ø 340		
40 FKE/FFE 80/1500			Ø 375		
16 FKE/FFE 100/1500	DN 100	Ø219,1	Ø 340		
40 FKE/FFE 100/1500			Ø 375		
16 FKE/FFE 150/2500	DN 150	Ø 273	Ø 405		
40 FKE/FFE 150/2500			Ø 450		

bigger sizes on request

<sup>1)</sup> = Weight including standard filter element and maintenance indicator

<sup>2)</sup> = Servicing height for filter element replacement

## Application

Filtration of oil, water and water based fluids, aggressive fluids in chemical and petrochemical installations, in the heavy industry, in the power generation industry and the ship building industry.

## Design and Accessories

The whole series is available as inline filter and duplex filter. All filters have a basket or a star pleated basket inside. The duplex filters up to ND100 have a ball valve combination with integrated pressure equalisation line. The bigger sizes have a change over with butterfly valves.



## Materials

The complete series is available in steel, plastic coated and stainless steel.

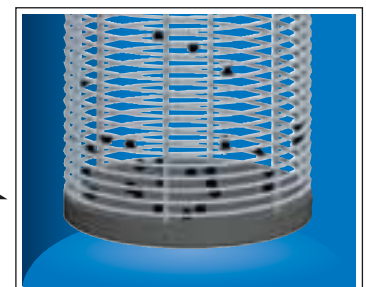
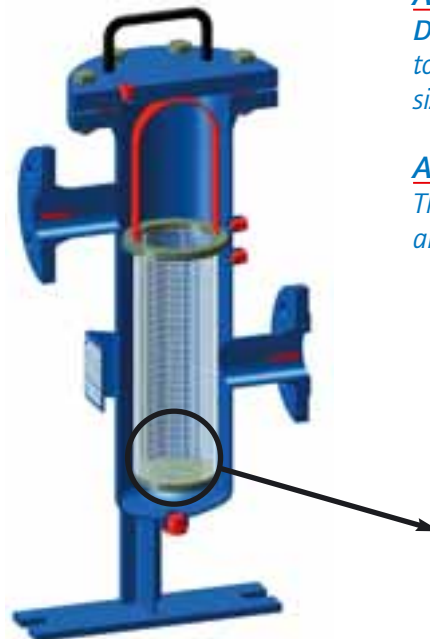
## Advantages

### Advantage 1

Direction of flow from the inside to the outside for all types and sizes

### Advantages for the User

The dirt remains in the basket and can not reach the clean side





### Advantage 2

For all materials – steel, plastic coated, stainless steel – same dimension and same appearance for every size

### Advantages for the user

For changed requirement in the process the filter can be replaced without change of the pipe work

### Advantage 3

Easy change of the basket when the cover is open

### Advantages for the user

No bolt, no repositioning, no aligning of the basket, no contact with the fluid required by user



### Advantage 4

Different filter media from slotted tube, perforated sheet and wire mesh up to star pleated filter elements without change of the filter housing

### Advantages for the user

The change of values like filter media/filter area is possible at any time, e. g. flush of the system/increase of the life time

### Advantage 5

Low variations of baskets for a wide range of filter-sizes, different kind of fluids, pressures, flow rates and temperatures

### Advantages for the user

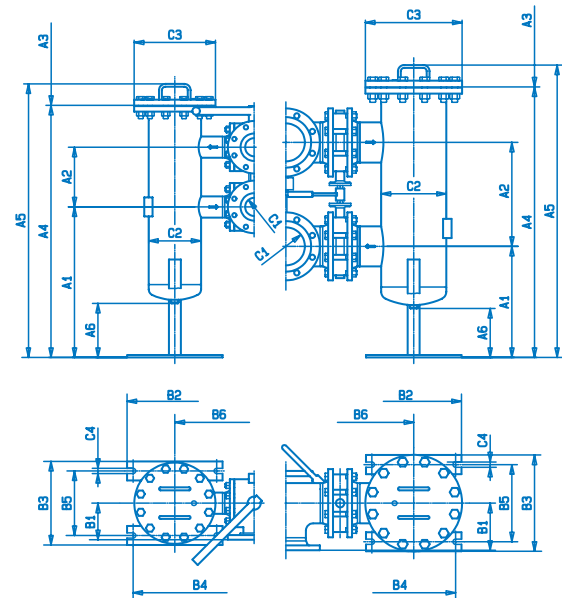
High reliability, there is only one filter design to maintain less stock keeping of spare elements



## Dimensions

16 FKD/FFD 25/400  
40 FKD/FFD 25/400  
16 FKD/FFD 50/550  
40 FKD/FFD 50/550  
16 FKD/FFD 80/600  
40 FKD/FFD 80/600  
16 FKD/FFD 80/1500  
40 FKD/FFD 80/1500  
16 FKD/FFD 100/1500  
40 FKD/FFD 100/1500

16 FKD/FFD 150/2500



Type	Capacity in l	Weight in kg <sup>1)</sup>	A1	A2	A3 <sup>2)</sup>	A4
16 FKD/FFD 25/400	2 x 6	69	380	155	400	635
40 FKD/FFD 25/400		77				
16 FKD/FFD 50/550	2 x 9,5	98	335	210	450	668
40 FKD/FFD 50/550		114				
16 FKD/FFD 80/600	2 x 13	108	540	230	650	868
40 FKD/FFD 80/600		122				
16 FKD/FFD 80/1500	2 x 32	209	650	700	1053	
40 FKD/FFD 80/1500		249				
16 FKD/FFD 100/1500	2 x 33	214	630	250		
40 FKD/FFD 100/1500		260				
16 FKD/FFD 150/2500	2 x 55	308	465	435	840	1130

bigger sizes on request

Type	A5	A6	B1	B2	B3	B4	B5
16 FKD/FFD 25/400	723	150	92,5	686	244	636	164
40 FKD/FFD 25/400	727						
16 FKD/FFD 50/550	758	137	149	742	270	692	190
40 FKD/FFD 50/550	762						
16 FKD/FFD 80/600	958	159	762			712	
40 FKD/FFD 80/600	962						
16 FKD/FFD 80/1500	1145	155	1064	350	1014	270	
40 FKD/FFD 80/1500	1157						
16 FKD/FFD 100/1500	1145	155	1064	350	1014	270	
40 FKD/FFD 100/1500	1157						
16 FKD/FFD 150/2500	1224	206	199	1470	403	1420	323

bigger sizes on request

Type	B6	C1 Connection	C2	C3	C4	Number of baskets
16 FKD/FFD 25/400	386	DN 25	Ø 114,3	Ø 220		
40 FKD/FFD 25/400				Ø 235		
16 FKD/FFD 50/550	442	DN 50	Ø 139,7	Ø 250		
40 FKD/FFD 50/550				Ø 270		
16 FKD/FFD 80/600	462	DN 80	Ø 177,8	Ø 250	22	2 x 1
40 FKD/FFD 80/600				Ø 270		
16 FKD/FFD 80/1500	664	DN 80	Ø 219,1	Ø 340		
40 FKD/FFD 80/1500				Ø 375		
16 FKD/FFD 100/1500	664	DN 100	Ø 219,1	Ø 340		
40 FKD/FFD 100/1500				Ø 375		
16 FKD/FFD 150/2500	1070	DN 150	Ø 273	Ø 405		

bigger sizes on request

<sup>1)</sup> = Weight including standard filter element and maintenance indicator  
<sup>2)</sup> = Servicing height for filter element replacement

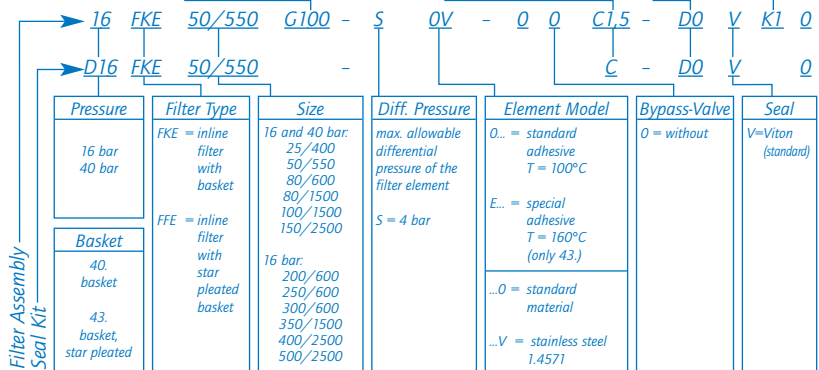


Industrial Filters · Accumulators

## Ordering Information Inline filter 16/40 FKE...

## 16/40 FFE...

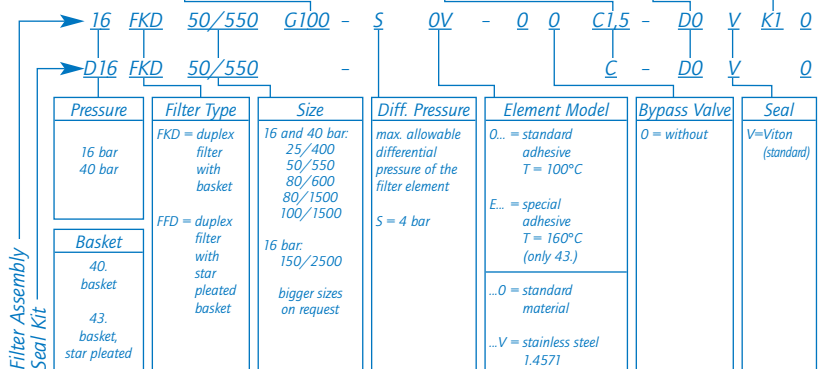
Filtration Grade	Maintenance Indicator	Connection	Material
for basket 40. and basket, star pleated 43.: nominal filter fineness in µm G = stainless steel wire mesh, cleanable G10 G25 G40 G60 G80 G100 G130 G200 G250 G350 G400 G450 G550 G800 G1000 G1500 for basket 40.: nominal filter fineness in µm L = perforated plate, cleanable L3000 L5000 L8000 L10000 SR = slotted tube, cleanable SR50 SR100 SR150 SR200 SR250 SR300 SR500 SR750 SR1000 for basket, star pleated 43.: nominal filter fineness in µm P = paper, not cleanable PS P10 P25 absolute filtration grade (ISO 4572) in µm H.XL = micro glass fibre, not cleanable H1XL H3XL H6XL H10XL H16XL H20XL	0 = without A1,5 = maintenance indicator, visual B1,5 = maintenance indicator, visual/electr. C1,5 = maintenance indicator, visual/electr. with electric plug E1,5 = maintenance indicator, visual/electr. with 3 luminous diodes and two shift points maintenance indicator in stainless steel: I1,5 = maintenance indicator, visual K1,5 = maintenance indicator, visual/electr. L1,5 = maintenance indicator, visual/electr. with electric plug N1,5 = maintenance indicator, visual/electr. with 3 luminous diodes and two shift points standard switch pressure 1,5bar	inlet and outlet: DO = DIN-flange without counter flange KO = DIN-flange with counter flange EO = DIN-flange with counter flange in stainless steel	0 = steel (standard) K1 = plastic coated Tmax = 70°C K2 = plastic coated Tmax = 95°C K3 = plastic coated Halar V = stainless steel 1.4571



## Ordering Information Duplex Filter 16/40 FKD...

## 16/40 FFD...

Filtration Grade	Maintenance Indicator	Connection	Material
for basket 40. and basket, star pleated 43.: nominal filter fineness in µm G = stainless steel wire mesh, cleanable G10 G25 G40 G60 G80 G100 G130 G200 G250 G350 G400 G450 G550 G800 G1000 G1500 for basket 40.: nominal filter fineness in µm L = perforated plate, cleanable L3000 L5000 L8000 L10000 SR = slotted tube, cleanable SR50 SR100 SR150 SR200 SR250 SR300 SR500 SR750 SR1000 for basket, star pleated 43.: nominal filter fineness in µm P = paper, not cleanable PS P10 P25 absolute filtration grade (ISO 4572) in µm H.XL = micro glass fibre, not cleanable H1XL H3XL H6XL H10XL H16XL H20XL	0 = without A1,5 = maintenance indicator, visual C1,5 = maintenance indicator, visual/electr. with electric plug E1,5 = maintenance indicator, visual/electr. with 3 luminous diodes and two shift points maintenance indicator in stainless steel: I1,5 = maintenance indicator, visual L1,5 = maintenance indicator, visual/electr. with electric plug N1,5 = maintenance indicator, visual/electr. with 3 luminous diodes and two shift points standard switch pressure 1,5bar	inlet and outlet: DO = DIN-flange without counter flange KO = DIN-flange with counter flange EO = DIN-flange with counter flange in stainless steel	0 = steel (standard) K1 = plastic coated Tmax = 70°C K2 = plastic coated Tmax = 95°C K3 = plastic coated Halar V = stainless steel 1.4571



K. & H. Eppensteiner GmbH & Co.KG  
Hardtwaldstraße 43 · D-68775 Ketsch  
P.O.Box 1120 · D-68768 Ketsch  
Phone: +49 62 02 / 6 03-0  
Telefax: +49 62 02 / 6 03-1 99  
E-Mail: info@eppensteiner.de  
Internet: www.eppensteiner.de

More technical data see brochure No. T48C and T58.1B / T58.2B.  
Technical modifications reserved!

58B-GB/01/01.05/2000