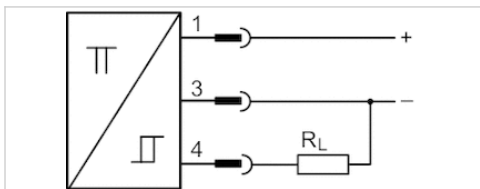


## Sensor, Series SN5-X

- Socket, M12, 3-pin
- With stretched impulse, Time delay
- Sensor responds to ferromagnetic material.



Ambient temperature min./max.	-10 ... 70 °C
Protection class	IP67
Switching point precision mT	±0,1
Nominal current, actuated state	25 mA
Quiescent current (without load)	14 mA
Display	LED
LED status display	See table below



### Technical data

Part No.	Type of contact	Voltage drop U at I <sub>max</sub>	DC switching current, max.	LED status display
0830100525	electronic PNP	≤ 2,0 V	0,2 A	Yellow
0830100534	electronic PNP	≤ 2,0 V	0,2 A	Yellow, Green

Part No.	Version	Switch signal
0830100525	Protected against polarity reversal	With stretched impulse
0830100534	short circuit resistant, Protected against polarity reversal	Time delay

Delivery incl. protective cap 1823317014

### Technical information

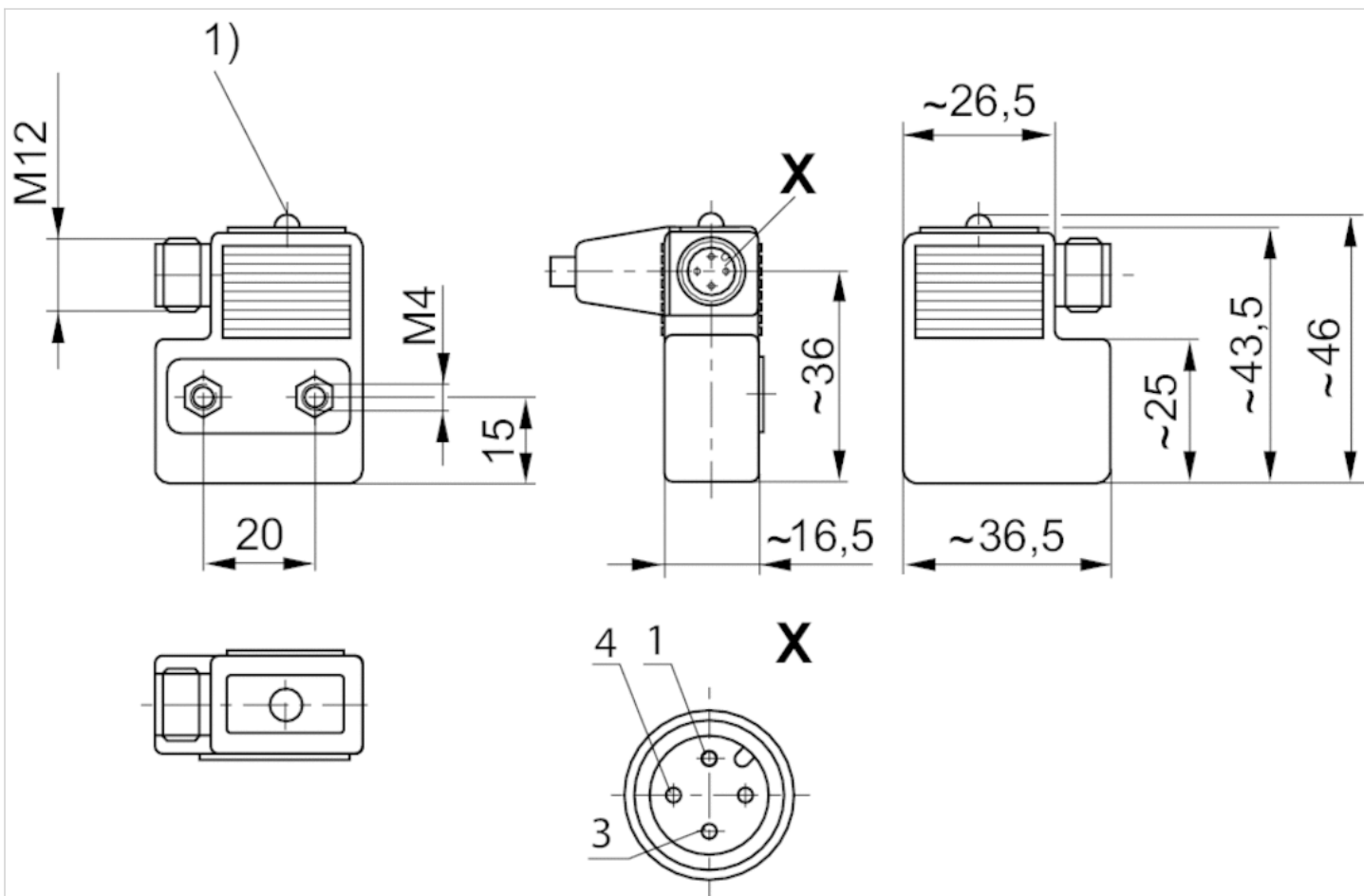
Sensor responds to ferromagnetic material.

### Technical information

Material	
Housing	epoxy resin

Dimensions

Dimensions



1) LED



Siège Social Douala - Cameroun B.P. 12591 Douala  
 contact@2comappro.com  
 Tél : + 237 233 424 913  
 et + 237 674 472 158

[www.2comappro.com](http://www.2comappro.com)