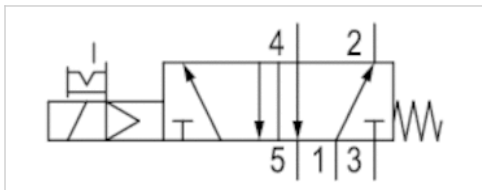




## 5/2-directional valve, Series LS04-AF

- Qn = 180-310 l/min
- pipe connection
- Compressed air connection output : Ø 4, Ø 6
- Electrical connection : Plug, Industrial plug connector, 2-pin
- Manual override : with detent
- Pilot : internal



|   |                           |
|---|---------------------------|
| Version   | Spool valve, zero overlap |
| Activation  | electrically              |
| Pilot   | internal                  |
| Sealing principle   | Soft sealing              |
| Working pressure min./max.                                      | 3 ... 7 bar               |
| Ambient temperature min./max.                                   | -10 ... 50 °C             |
| Medium temperature min./max.                                    | -10 ... 50 °C             |
| Medium  | Compressed air            |
| Max. particle size  | 5 µm                      |
| Oil content of compressed air                                   | 0 ... 5 mg/m <sup>3</sup> |
| Nominal flow Qn   | See table below           |
| Protection class acc. to DIN EN 61140, electrically             | Class III                 |
| Protection class, with connection                               | IP50                      |
| Protective circuit  | Z-diode                   |
| LED status display  | Yellow                    |
| Duty cycle  | 100 %                     |
| Typ. switch-on time   | 10 ms                     |
| Typ. switch-off time  | 22 ms                     |
| Generic emission standard in accordance with EN 61000-6-4:2002  |                           |
| Generic immunity standard in accordance with IEC 61000-6-2:2005 |                           |
| mounting screws   | M3                        |
| Mounting screw tightening torque                                | 0,5 Nm                    |
| Weight  | 0,053 kg                  |

### Technical data

| Part No.   | MO  | Compressed air connection |        |         |
|------------|---|---------------------------|--------|---------|
|            |   | Input                     | Output | Exhaust |
| R422103563 |  | Ø 4                       | Ø 4    | Ø 4     |
| R422103564 |  | Ø 6                       | Ø 6    | Ø 6     |

| Part No.   | Operating voltage | Voltage tolerance | Power consumption | Flow conductance | Flow conductance | Nominal flow Qn |
|------------|-------------------|-------------------|-------------------|------------------|------------------|-----------------|
|            | DC                | DC                | DC                | b                | C-value          |                 |
| R422103563 | 24 V              | -10% / +10%       | 1,3 W             | 0,3              | 0,8 l/(s*bar)    | 180 l/min       |
| R422103564 | 24 V              | -10% / +10%       | 1,3 W             | 0,27             | 1,5 l/(s*bar)    | 310 l/min       |

Nominal flow Qn at 6 bar and Δp = 1 bar, MO = Manual override

## Technical information

The min. control pressure must be adhered to, since otherwise faulty switching and valve failure may result!  
The pressure dew point must be at least 15 °C under ambient and medium temperature and may not exceed 3 °C .  
The oil content of compressed air must remain constant during the life cycle.  
Use only the approved oils from AVENTICS, see chapter „Technical information“.

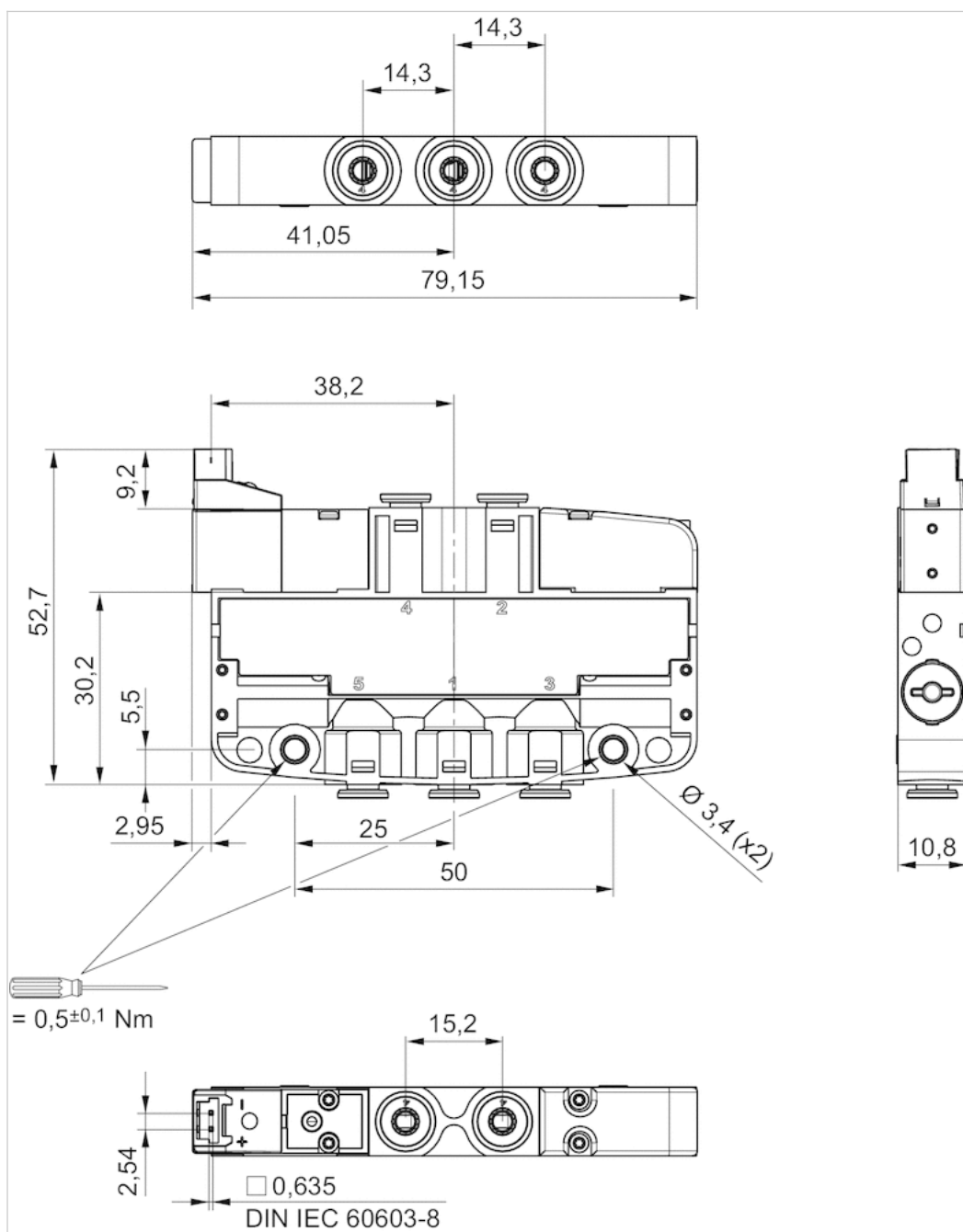
## Technical information

| Material |   |
|----------|---|
| Housing  | Polyoxymethylene  |
| Seals    | Acrylonitrile butadiene rubber, Hydrogenated nitrile butadiene rubber, Polyurethane |



## Dimensions

### dimensions single solenoid



Siège Social Douala - Cameroun B.P. 12591 Douala  
 contact@2comappro.com  
 Tél : + 237 233 424 913  
 et + 237 674 472 158  
[www.2comappro.com](http://www.2comappro.com)