

## 5/2-directional valve, Series LS04-XS

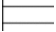

- Qn = 200 l/min
- pipe connection
- Compressed air connection output : Ø 4
- Electrical connection : Plug, M8, 3-pin
- Manual override : with detent, without detent
- Pilot : internal



Version	Spool valve, zero overlap
Activation	electrically
Pilot	internal
Sealing principle	Soft sealing
Working pressure min./max.	3 ... 7 bar
Ambient temperature min./max.	-10 ... 50 °C
Medium temperature min./max.	-10 ... 50 °C
Medium	Compressed air
Max. particle size	5 µm
Oil content of compressed air	0 ... 5 mg/m <sup>3</sup>
Nominal flow Qn	200 l/min
Connector standard	DIN EN 60947-5-2
Protection class acc. to DIN EN 61140, electrically	Class III
Protection class, with connection	IP65
Protective circuit	Z-diode
LED status display	Yellow
Duty cycle	100 %
Typ. switch-on time	9 ms
Typ. switch-off time	18 ms
Generic emission standard in accordance with	EN 61000-6-4:2002
Generic immunity standard in accordance with	IEC 61000-6-2:2005
mounting screws	M3
Mounting screw tightening torque	0,5 Nm
Weight	0,04 kg



### Technical data

Part No.	MO	Compressed air connection		
		Input	Output	Exhaust
R422103556		Ø 4	Ø 4	Ø 4
R422103558		Ø 4	Ø 4	Ø 4

Part No.	Operating voltage	Voltage tolerance	Power consumption	Flow conductance	Flow conductance
	DC	DC	DC	b	C-value
R422103556	24 V	-10% / +10%	1,3 W	0,4	0,8 l/(s*bar)
R422103558	24 V	-10% / +10%	1,3 W	0,4	0,8 l/(s*bar)

Nominal flow Qn at 6 bar and Δp = 1 bar, MO = Manual override

## Technical information

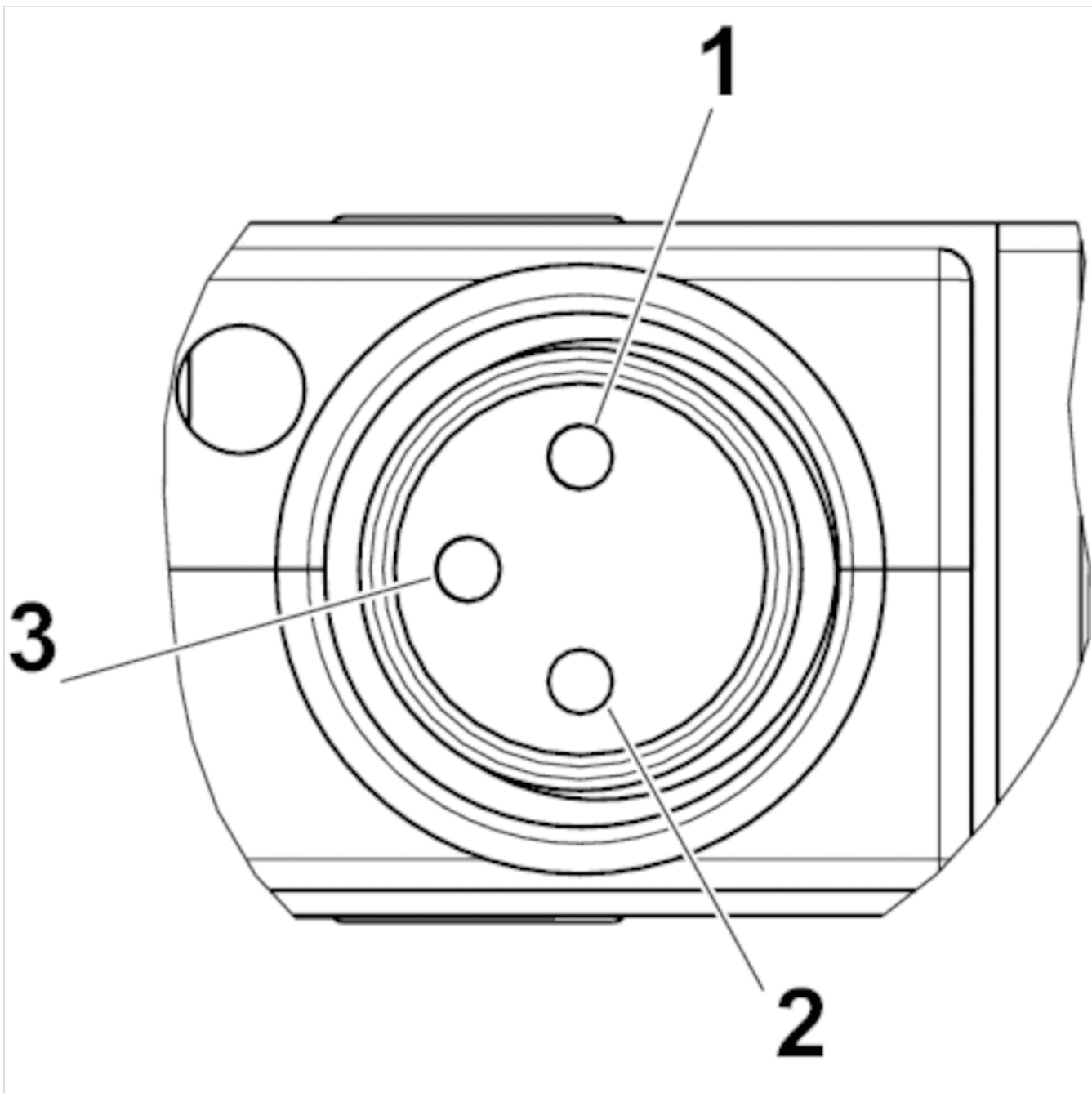
The min. control pressure must be adhered to, since otherwise faulty switching and valve failure may result!  
The pressure dew point must be at least 15 °C under ambient and medium temperature and may not exceed 3 °C .  
The oil content of compressed air must remain constant during the life cycle.  
Use only the approved oils from AVENTICS, see chapter „Technical information“.

## Technical information

Material	
Housing	Aluminum, Polyoxymethylene
Seals	Acrylonitrile butadiene rubber, Hydrogenated nitrile butadiene rubber, Polyurethane



PIN assignment for electrical connector



1) DC -/+2) not assigned3) DC -/+



Siège Social Douala - Cameroun B.P. 12591 Douala  
contact@2comappro.com  
Tél : + 237 233 424 913  
et + 237 674 472 158

[www.2comappro.com](http://www.2comappro.com)